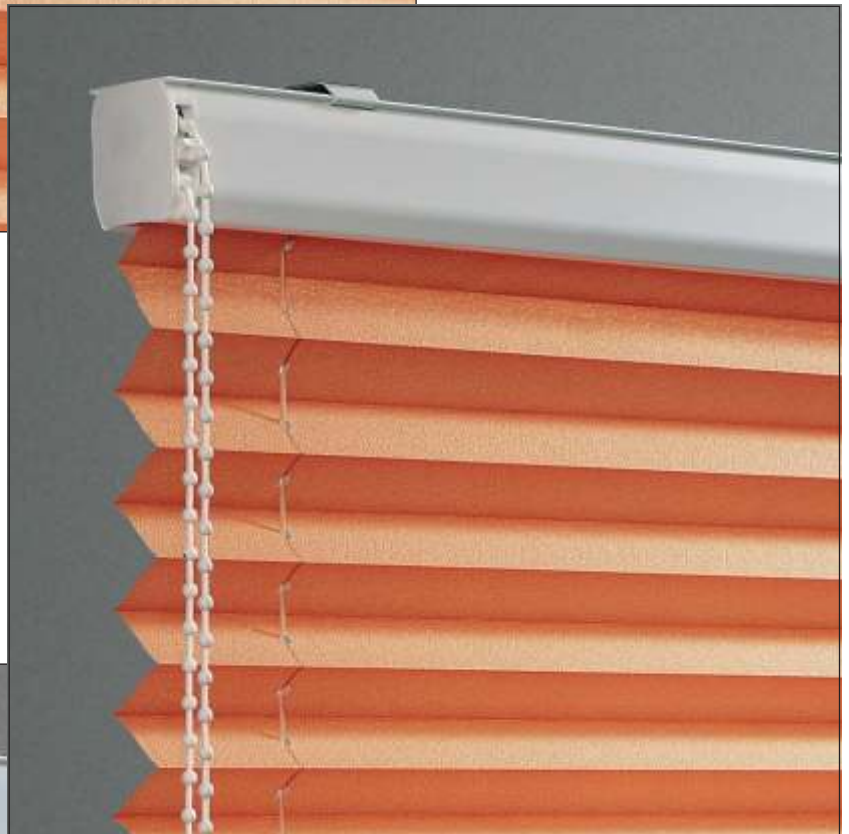




Cord Operation
Pleated blind
with integrated cord lock
without cord overtravel.



Chain Operation
Pleated blind
with chain drive.



Motor Operation
Opening and closing with
a 24 volt drive motor.

Biuro handlowe: Częstochowa ul. Naikowskiej 11, tel 034 322 34 54, e-mail: info@rolety.czest.pl



Handle Operation
Easy operation with a handle.



Crank Operation
Pleated blind with crank operation for ceiling windows and conservatory.

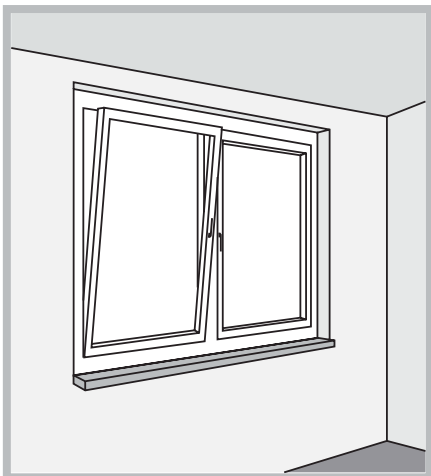


Profile Colours

Optional white powder-coated or silver, black and anodised bronze. With colour matching plastic parts.

Fabric

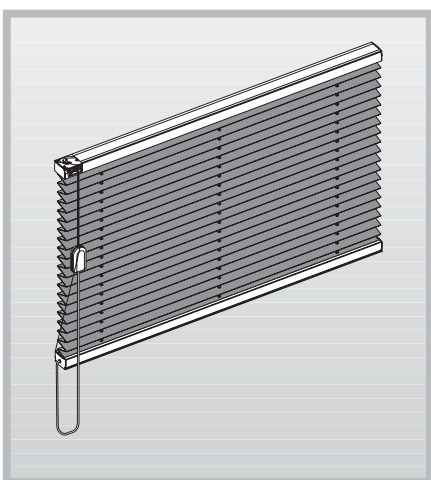
20 mm pleat.



Vertical and Swivel/Tilt Windows

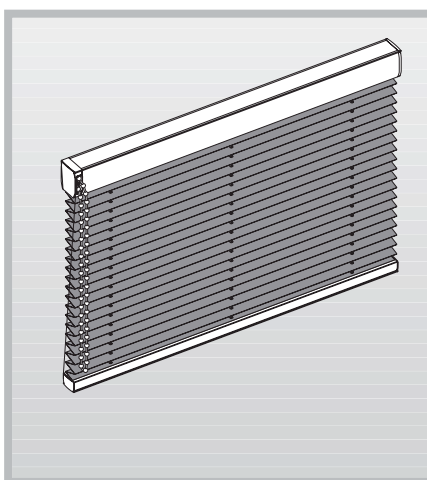
Free-hanging blinds with different operation and hanging variants.
 With cord guiding for swivel/tilt windows max. angle of inclination 15 °
 ensioned blinds with handle operation or special shapes (fixed)

Biuro handlowe: Częstochowa ul. Nalkowskiej 11, tel 034 322 34 54, e-mail: info@rolety.czest.pl



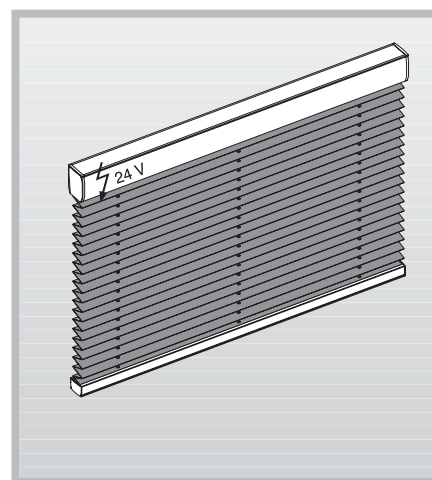
Cord operation

Pleated blind with integrated cord lock without cord overtravel.
 Blind widtht 0.30-2.20 m
 Blind height: max. 2.60 m



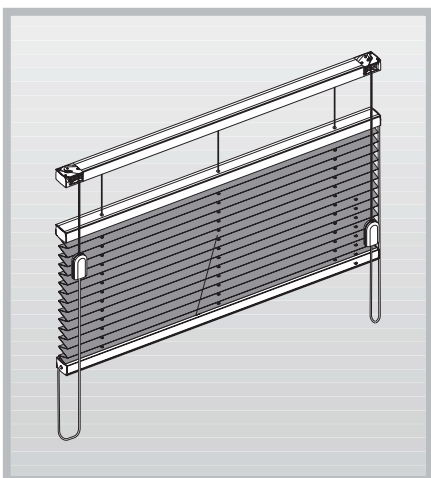
Chain operation

Pleated blind with chain drive.
 Easy operation with continous loop chain.
 Blind widtht 0.40-2.20 m
 Blind height: max. 2.60 m



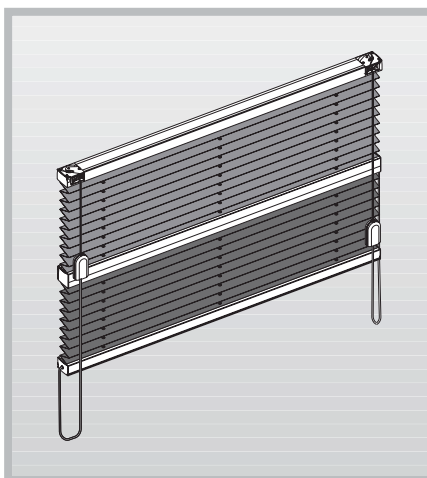
Motor operation

Opening and closing with a 24 volt drive motor.
 Blind widtht 0.70-2.20 m
 Blind height: max. 2.60 m



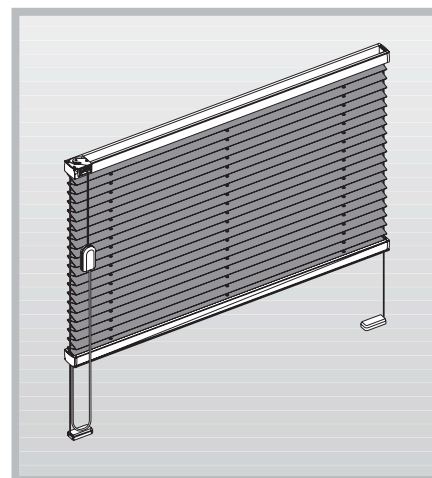
Variable hanging

from the top with a second operation unit.



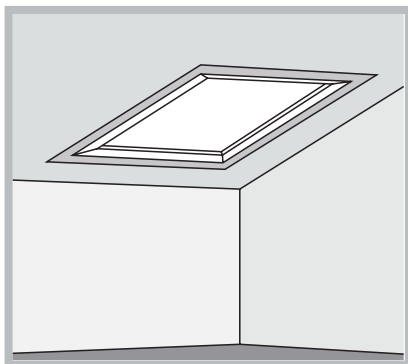
Two hangings

Two different hangings are combined within one unit.
 Both hangings can be operated separately.

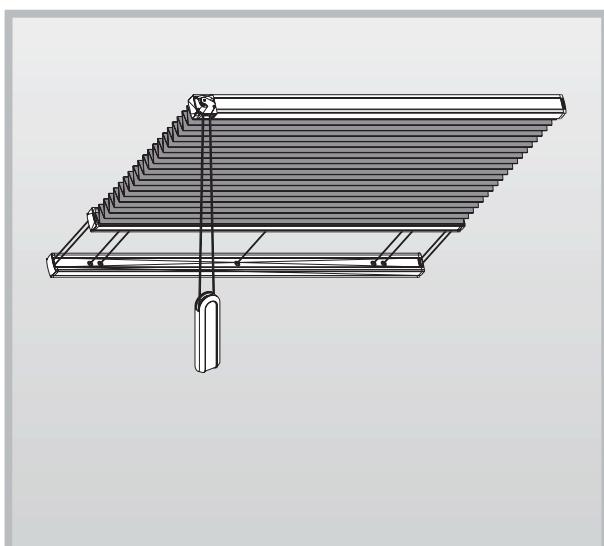


Cord guiding

Side guiding with a tensioned wire.
 For swivel/tilt windows up to max. 15 ° inclination angle.
 of a tension profile.



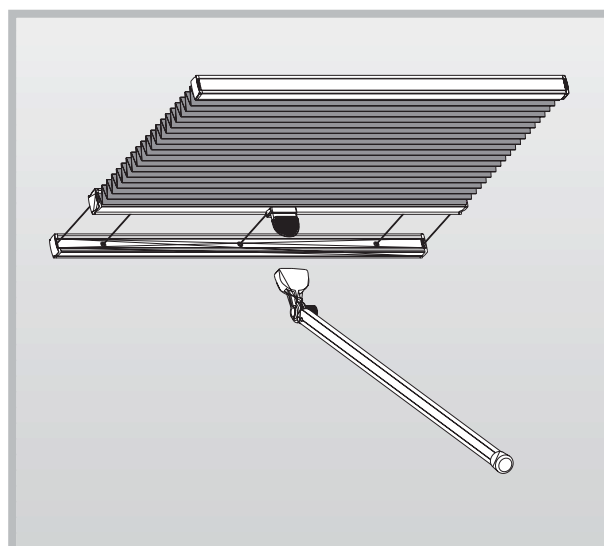
Tensioned blinds steel wire tensioning with several operation variants for ceiling windows and conservatory, angle of inclination up to max. 90 ° horizontal



Cord operation

Simple cord operation (cord lock without clamping).

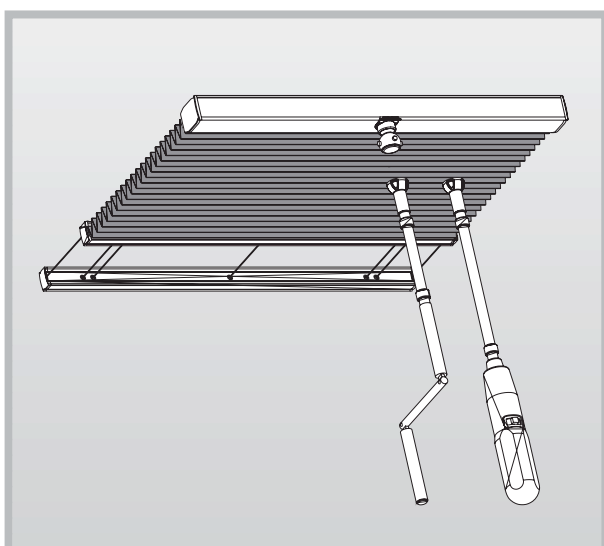
Blind widths: 0.30-1.50 m
Blind lengths: max. 4.00 m



Handle operation

Tensioned blind with handle or additional control rod.

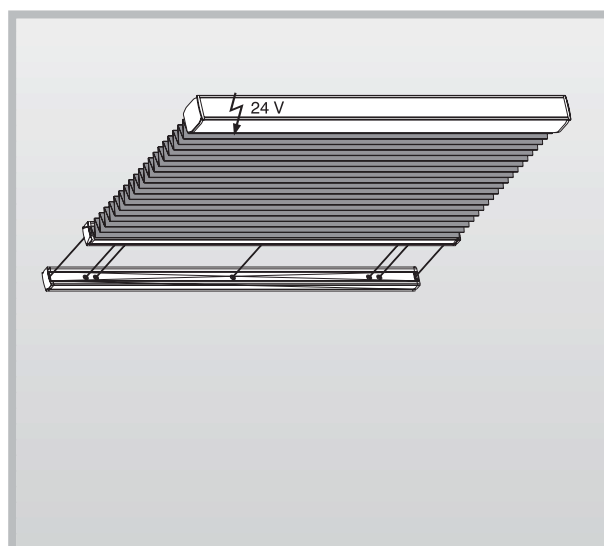
Blind widths: 0.30-1.50 m
Blind lengths: max. 4.00 m



Crank operation

Operation with crank handle or motorised handle.

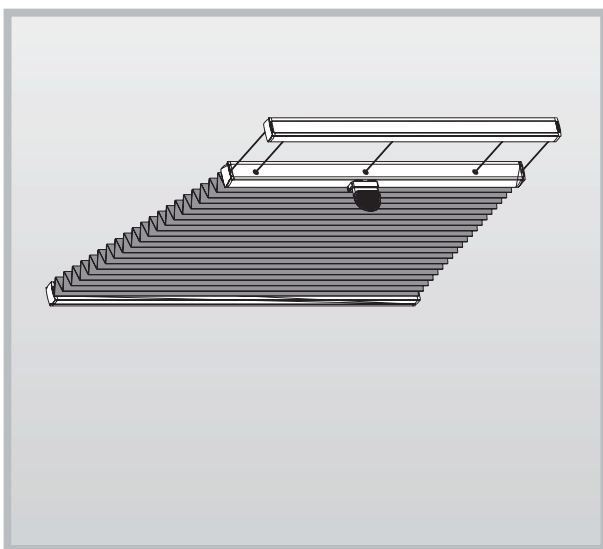
Blind widths: 0.75-1.50 m
Blind lengths: max. 4.00 m



Motor operation

Opening and closing with a 24 V drive motor.

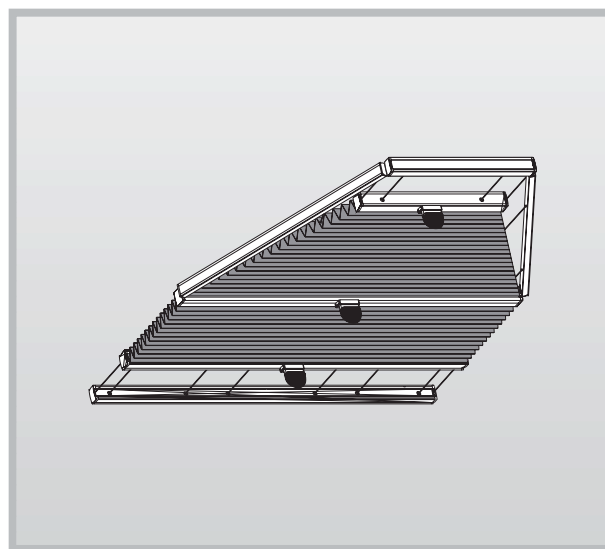
Blind widths: 0.80-1.50 m
Blind lengths: max. 4.00 m



Blind with a sloped hanging

Up to a difference in width of 0.15 m or up to a difference in width of 0.50 m.

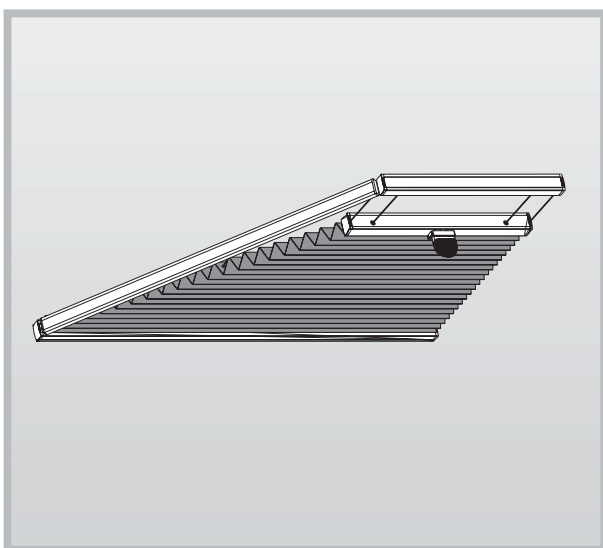
Blind widths: 0.30-1.50 m
Blind lengths: max. 4.00 m



5-corner and 6-corner blinds

With different operation and hanging variants.

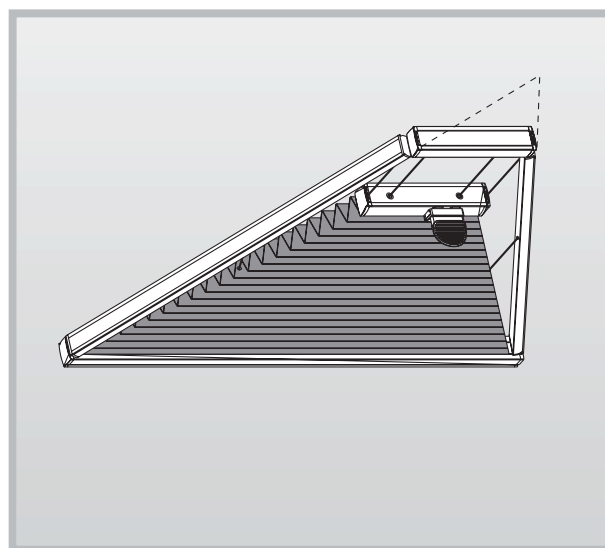
Blind widths: 0.30-1.50 m
Blind lengths: max. 2.00 m



Trapezoidal blind

Sloped on one side (max. difference in width 1.20 m), sloped on both sides (max. difference in width per side 0.70 m).

Blind widths: 0.30-1.50 m
Blind lengths: max. 2.00 cm



Triangular blind

One sloped side (rectangular triangle) or two sloped sides (isosceles triangle). Up to a vertex of 70 mm minimum.

Blind widths: 0.30-1.50 m
Blind lengths: max. 2.00 cm