

Type R032

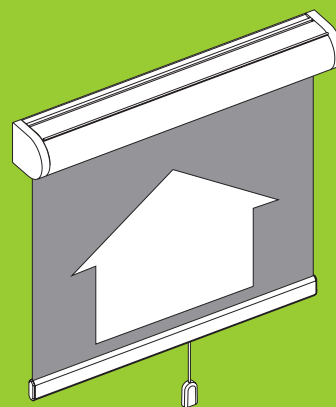
Roller blind width: max.2.00 m (depending on the fabric)

Roller blind height: max.2.00 m (depending on the fabric)

Pattern of the hanging: Optional facing inwards or outwards (standard: facing inwards)

Profile colour: Standard white RAL 9016 or grey RAL 9006
Optional black RAL 9005 or brown RAL 8077

Operation: The hanging rolls after unlocking controlled and soft independent up.



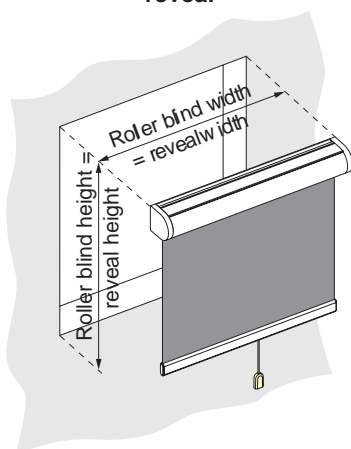
Type R032 Soft roller blind - Mid control roller blind with round cassette.

TYPE R032

Measuring and ordering

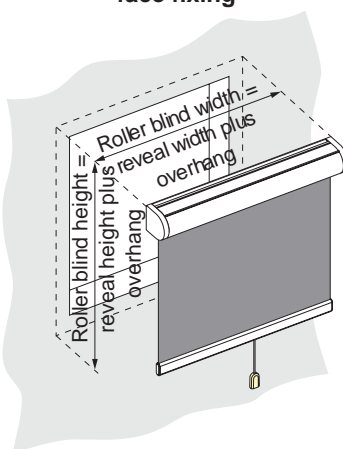
www.rolety.czest.pl

Dimensions in the reveal



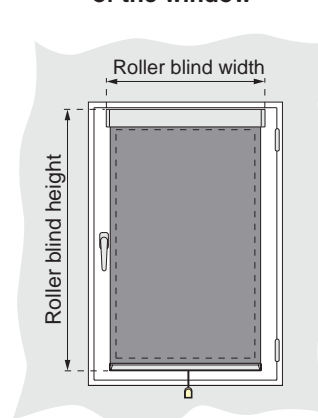
Mounting in the reveal
Measure the reveal exactly at the necessary mounting height.

Dimensions for face fixing



Mounting for face fixing
When mounting in front of the window, allow for the necessary overhang.

Dimensions on the wing of the window



Mounting on the wing of the window
Make allowance for the side distance of the fabric from window fittings.

Roller blind width

From the outermost point of the left cover cap to the outermost point of the right cover cap. The fabric is 30 mm narrower than the roller blind width.

Roller blind height

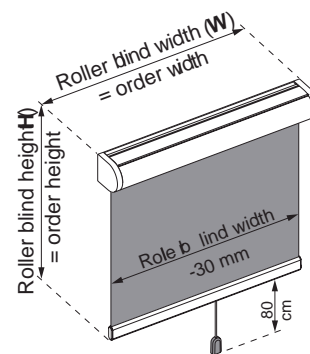
From the topmost point of the cassette to the bottommost point of the closing profile of the hanging.

Roller blind width (W) = Order width
Roller blind height (H) = Order height

The basic price is determined on the basis of the width (W), the height (H) and the fabric quality (note the price group).

Additional charge for the type will be added to the basic price.

Additional charges for valance, mounting variants or special accessories are added to the basic price.



Mounting

Various fix brackets and block holders are available for simple mounting of the pre-assembled roller blind on the wall, on the ceiling, in the window jamb or on the wing of a window.

Standard: Wall or ceiling mounting with clip.

Fastening clips



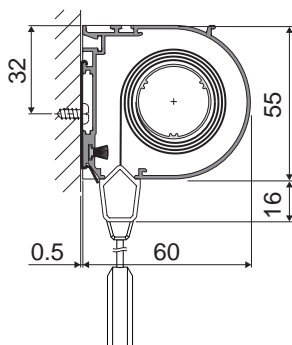
Distances from other objects

Minimum distance between the hanging and protruding parts (e. g. window handles, etc.): 10-15 mm.

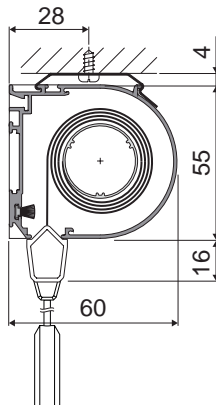
Special variants

Available as special accessories are adjustable face fix brackets (60-108 mm, 108-156 mm and 156-204 mm) that can be used in place of the face fix bracket 33 mm.

Wall mounting (with clip, flat)

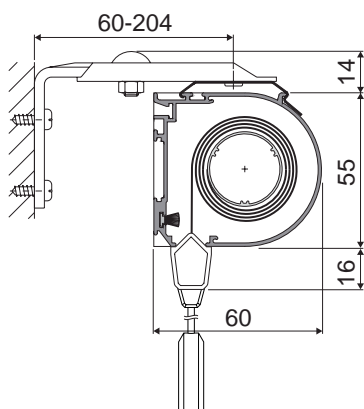


Ceiling mounting (with clip, cranked)



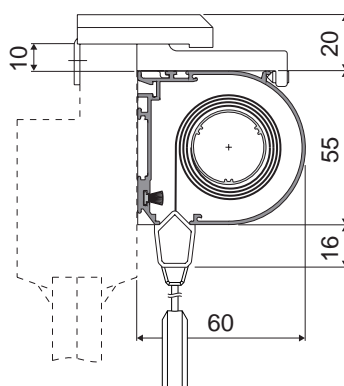
Wall mounting

(with face fix bracket, variabel)



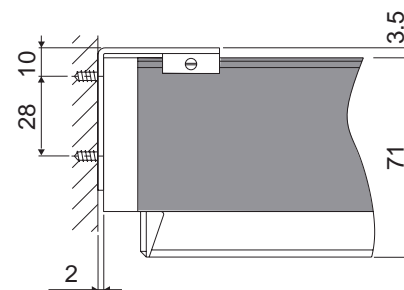
Mounting on the wing of a window

(with block holder)



Mounting in the window jamb

(with face fix bracket 33 mm)



Valance

The **valance** is available as an option for Type R032.

The roller blind hanging and the valance can be combined from all textile or non-coated fabrics of the roller blind collection. The valance shape can be freely selected.

The roller blind with valance is fitted with the closing profile for hangings with a valance, into which the upper part of the valance is inserted. The valance is bordered and the colour of the border matches the colour of the profile. To operate the blind, a pull ribbon with a handle is fitted that matches the valance shape and the border.

Valance shapes

